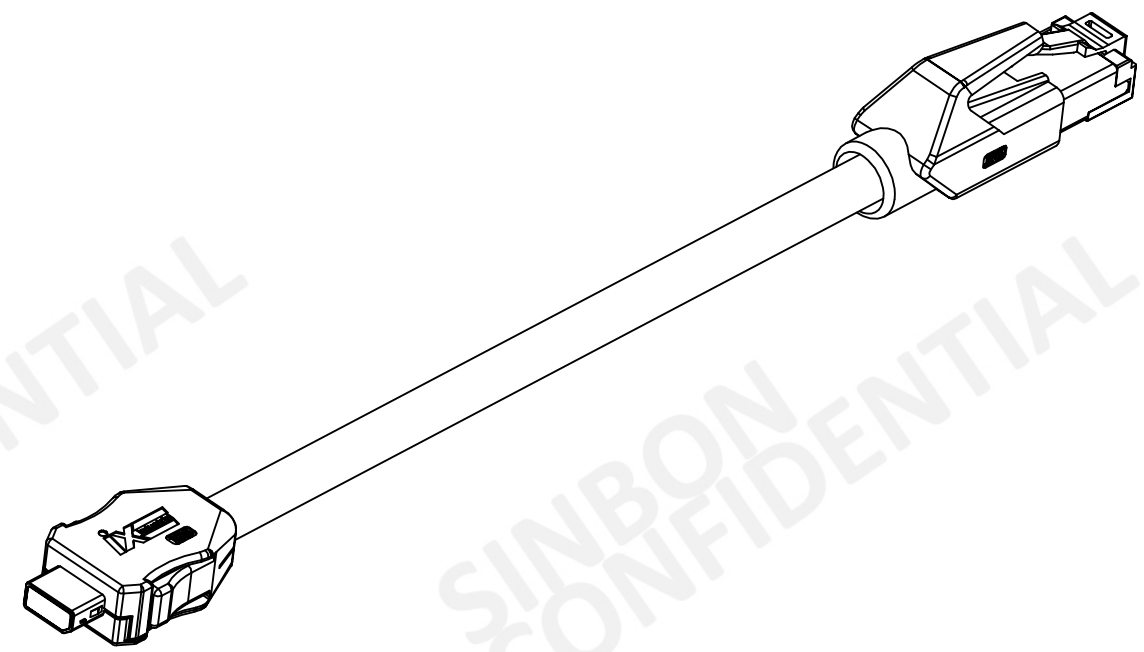
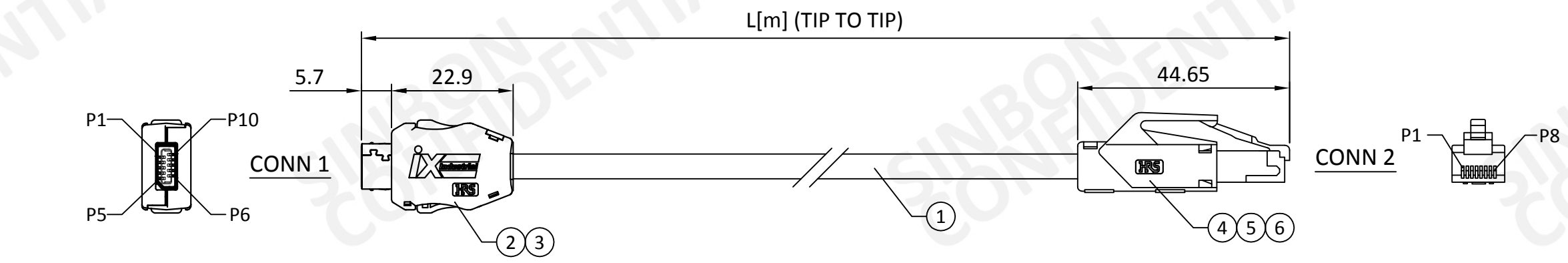


REV.	ECN NO.	DATE	BY	DESCRIPTION
01		Jan/25/2021	Anita Wu	RELEASED



SBIX-XX-X-XXX

SINBON ix SERIES

CABLE SPECIFICATION
 A=CAT.6A F/UTP CM
 B=CAT.6A S/FTP CM
 C=CAT.6A S/FTP CMR
 D=CAT.6A S/FTP LSZH

CABLE LENGTH STANDARD LENGTH
 0.5M=005
 1.0M=010
 3.0M=030
 5.0M=050
CUSTOMIZATION
 10M=100
 :
 XXM=XX0

ix SERIES NO.
 AA= ix type A plug to ix type A plug
 BB= ix type B plug to ix type B plug
 AR= ix type A plug to RJ45 plug (TM31)
 BR= ix type B plug to RJ45 plug (TM31)
 AK= ix type A plug to RJ45 jack (Keystone Jack)

WIRE MAP ACC. TO TIA/EIA 568B
(CONTACTS 3 & 8 NOT CONNECTED)

AWG	CONN 1	COLOR	CONN 2	
26	1	WHITE/ORANGE	1	
	2	ORANGE	2	
	4	BLUE	4	
	5	WHITE/BLUE	5	
	6	WHITE/GREEN	3	
	7	GREEN	6	
	9	WHITE/BROWN	7	
	10	BROWN	8	
		SHELL	SHIELD	SHELL


TRANSMISSION SUPPORT	
Category	ISO/IEC 11801 Cat.6A
1/10 GBs	IEEE 802.3ab/IEEE 802.3an
ELECTRICAL DATA	
Rated voltage / current	50 V AC / 60 V DC / 1 A
Contact resistance	50 mΩ
MECHANICAL DATA	
Operating temp.	-25 °C to +60°C
Mating cycles	200
Crimp strength	> 60N
RoHS	Compliant

ITEM	QTY	DESCRIPTION
6.	1	COVER CASE, HRS, TM21P-88P(13)
5.	1	GUIDE PLATE, HRS, TM31P-TM-88P(62)
4.	1	PLUG, HRS, TM31P-TM-88P(61)
3.	A/R	COPPER FOIL, W=5, L=30mm
2.	1	CONN., 10P, HRS, IX40G-B-10S-CV(7.0)
1.	A/R	CABLE, CAT 6A, S/FTP OR F/UTP, #26*4P, BLUE

THIS DRAWING CONTAINS CONFIDENTIAL INFORMATION AND IS THE PROPERTY OF SINBON ELECTRONICS CO., LTD. IT MAY NOT BE USED OR ITS CONTENTS COPIED OR DISCLOSED TO A THIRD PARTY WITHOUT PRIOR WRITTEN CONSENT AND IS TO BE RETURNED PROMPTLY UPON REQUEST BY SINBON ELECTRONICS CO., LTD.

CUSTOMER: N/A		REV. 01		 SINBON Electronics Co., Ltd.	
CUSTOMER P/N: SBIX-BR-X-XXX		DRA. Jun/25/2021 Anita Wu			
UNLESS OTHERWISE SPECIFIED TOLERANCE (mm):		UNLESS OTHERWISE SPECIFIED TOLERANCE:		DESCRIPTION: ix INDUSTRIAL ETHERNET CAT 6A CABLE TYPE B PLUG TO RJ45 PLUG (TM31)	
0.1 ~ 0.2 : ±5		1 ~ 10 : ±1		PART NUMBER: A9840039	
0.2 ~ 0.5 : ±7		11 ~ 30 : ±2		REV. 01	
0.5 ~ 1.0 : ±15		31 ~ 50 : ±3		SIZE A3	
1.0 ~ 2.0 : ±25		51 ~ 200 : ±5		UNIT mm	
> 2.0 : 1%		201 ~ 400 : ±7		SCALE NONE	
		> 401 : ±10		SHEET 1 of 1	
		ANGLES : ±1°			

Declaration of RoHS Compliance



Date : Apr/13/2021
File No. : N/A
SINBON P/N : See Annex
Customer P/N : See Annex
Description : N/A
Customer : N/A

Dear Sirs/Mesdames,

SINBON Electronics Co., Ltd. herewith certifies that the product specified above is produced in accordance with EU Direction 2011/65/EU (RoHS) and its amendment 2015/863/EU. Therefore, the product does not contain exceeding concentration levels of substances listed below, unless allowed per exceptions in the Annex of the Directives.

- Cadmium and its compounds <100 PPM
- Lead and its compounds <1000 PPM
- Mercury and its compounds <1000 PPM
- Hexavalent Chromium and its compounds <1000 PPM
- Polybrominated biphenyls <1000 PPM
- Polybrominated diphenylethers <1000 PPM
- Bis(2-ethylhexyl) phthalate (DEHP) <1000 PPM
- Butyl benzyl phthalate (BBP) <1000 PPM
- Dibutyl phthalate (DBP) <1000 PPM
- Diisobutyl phthalate (DIBP) <1000 PPM

Please be also informed that SINBON adopts Pb-free soldering to manufacture the product specified in this declaration. If you have any questions about this, please do not hesitate to contact us.

Sincerely,



Quality Manager





Jiangyin SINBON Electronics Co., Ltd.

288 Chengjiang Middle Rd.,
Jiangyin, Jiangsu 214434, China
Tel: +86-510-86404098
Fax: +86-510-86404940
www.sinbon.com

Annex:

SINBON P/N	Customer P/N
SBIX-AA-X-XXX	N/A
SBIX-BB-X-XXX	N/A
SBIX-AR-X-XXX	N/A
SBIX-BR-X-XXX	N/A
SBIX-AK-X-XXX	N/A